

X Series — Unfiltered Modular RJ Jack

X Series



**UL Recognized
CSA Certified**



RJ45



RJ11

X Series

Tyco Electronics offers a standard, unfiltered jack in both the RJ45 and RJ11 models to complement our filtered line.

Part Numbers

RJ11-2X	RJ45-6X
RJ11-4X	RJ45-8X
RJ11-6X	RJ45-8X1
	RJ45-8X2

Model dimensions and PC board layout on pages 170 to 174.

Specifications

Contacts:

Material:	Phosphor Bronze
Plating:	50 microinches gold
Barrier underplating:	100 microinches nickel
Resistance:	
Initial:	20 milliohms max.
After durability testing: (500 mating cycles)	30 milliohms max.

Shield Material: Tin Plated Copper Alloy

Housing Material: Glass-filled polyester (UL94V-0)

Dielectric Withstanding Voltage:

Line-to-line and line-to-ground	1000 VAC for 60 seconds
---------------------------------	----------------------------

Printed Circuit Board Retention:

Before soldering:	1 lb. minimum
After soldering:	20 lb. minimum



Shield 1



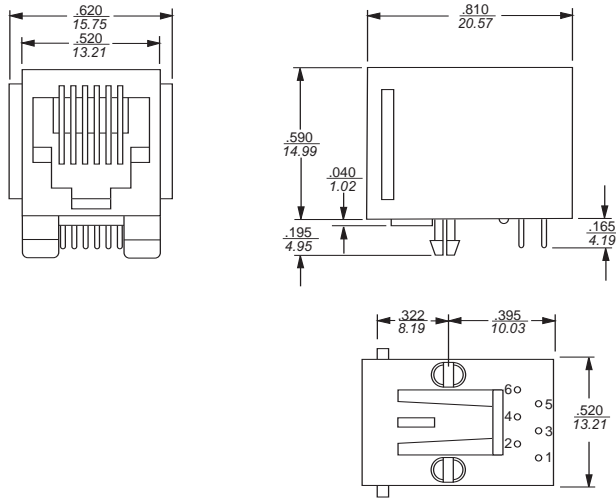
Shield 2

Model Dimensions

Standard Profile RJ Jack Dimensions

For the L, LC, LCT and X Series of RJ Jack Filters

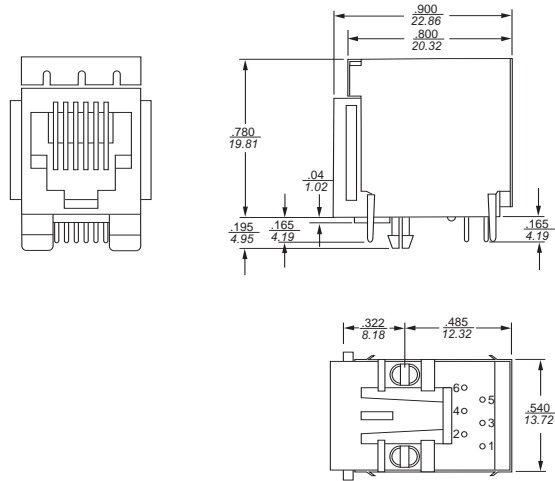
RJ11 (No Shield)



Part Numbers

RJ11-2L-S	RJ11-2L-B	RJ11-2X
RJ11-4L-S	RJ11-4L-B	RJ11-4X
RJ11-6L-S	RJ11-6L-B	RJ11-6X

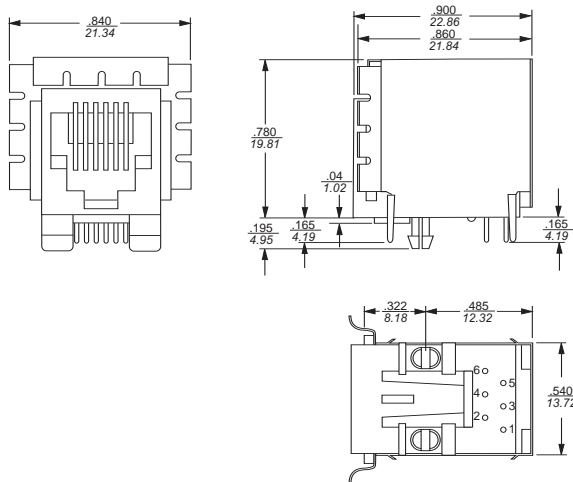
RJ11 (Style 2 Shield)



Part Numbers

RJ11-2LC2-S	RJ11-2LC2-B	RJ11-4L2-S	RJ11-6L2-B
RJ11-4LC2-S	RJ11-4LC2-B	RJ11-6L2-S	RJ11-6LCT2-S
RJ11-6LC2-S	RJ11-6LC2-B	RJ11-4L2-B	RJ11-6LCT2-B

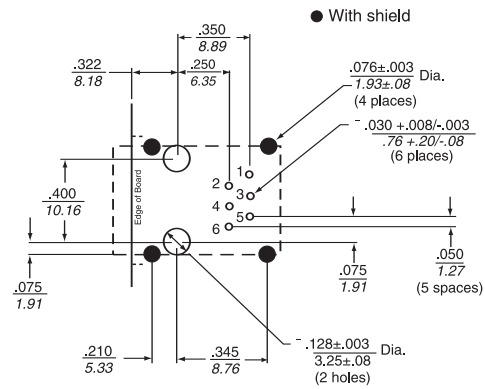
RJ11 (Style 1 Shield)



Part Numbers

RJ11-2LC1-S	RJ11-2LC1-B	RJ11-4L1-S	RJ11-6L1-B
RJ11-4LC1-S	RJ11-4LC1-B	RJ11-6L1-S	RJ11-6LCT1-S
RJ11-6LC1-S	RJ11-6LC1-B	RJ11-4L1-B	RJ11-6LCT1-B

RJ11 (PC Board Layout)



Shown from Component Side

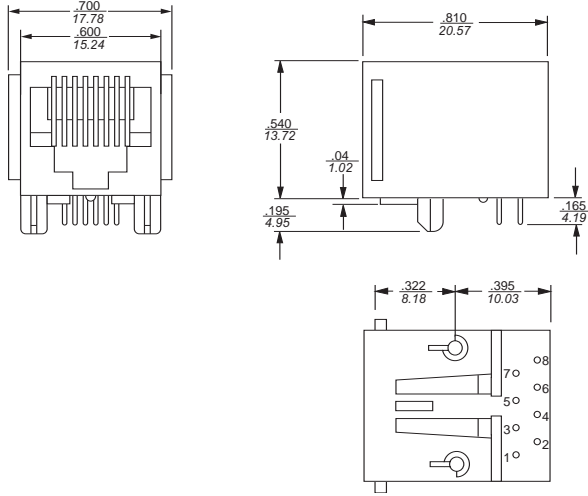
For all RJ11 L, LC, LCT and X Series Models

Model Dimensions (Continued)

Standard Profile RJ Jack Dimensions (cont'd)

For the L, LC, LCT and X Series of RJ Jack Filters

RJ45 (No Shield)

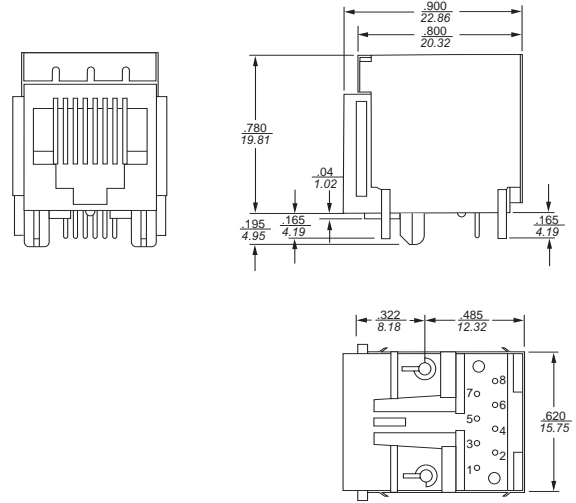


Part Numbers

RJ45-6L-S
RJ45-8L-S
RJ45-6L-B

RJ45-8L-B
RJ45-6X
RJ45-8X

RJ45 (Style 2 Shield)



Part Numbers

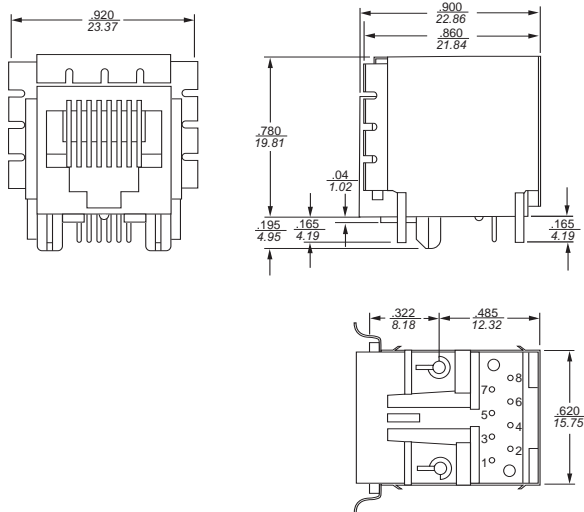
RJ45-6LC2-S
RJ45-6L2-S
RJ45-8LCT2-S

RJ45-8LC2-S
RJ45-8L2-S
RJ45-8LCT2-B

RJ45-6LC2-B
RJ45-6L2-B

RJ45-8LC2-B
RJ45-8L2-B

RJ45 (Style 1 Shield)



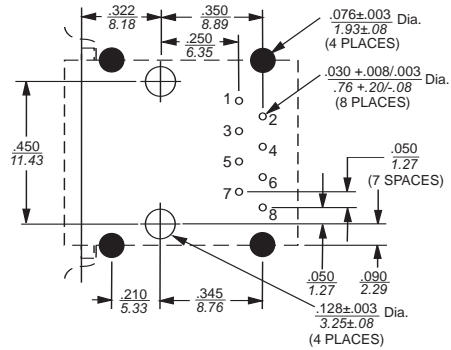
Part Numbers

RJ45-6LC1-S
RJ45-6L1-S
RJ45-8LCT1-S

RJ45-8LC1-S
RJ45-8L1-S
RJ45-8LCT1-B

RJ45-6LC1-B
RJ45-6L1-B
RJ45-8LC1-B
RJ45-8L1-B

RJ45 (PC Board Layout)



Shown from Component Side

For all RJ45 L, LC, LCT and X Series Models.

Part Numbers

RJ45-6LC2-S
RJ45-6L2-S
RJ45-8LCT2-B

RJ45-8LC2-S
RJ45-8L2-S
RJ45-8LCT2-S

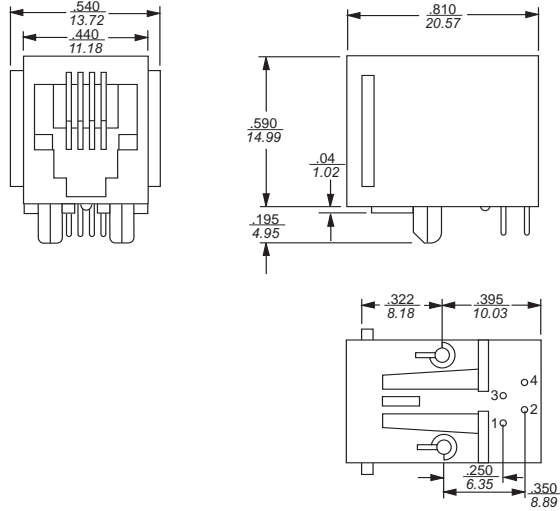
RJ45-6LC2-B
RJ45-6L2-B

RJ45-8LC2-B
RJ45-8L2-B

Model Dimensions (Continued)

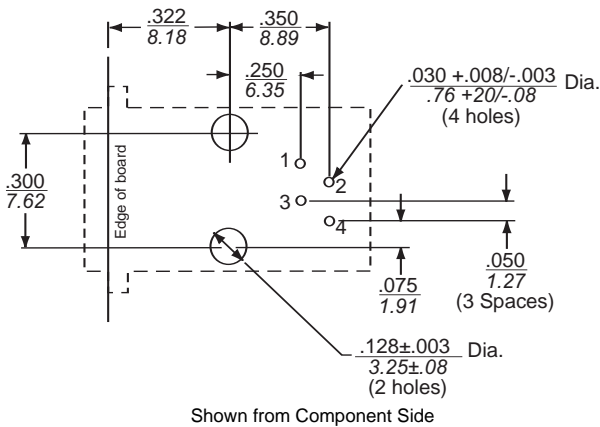
Standard Profile RJ Jack Dimensions (cont'd)
For the L, LC, LCT and X Series of RJ Jack Filters

RJH (No Shield)



Part Numbers
RJH-4-L-B

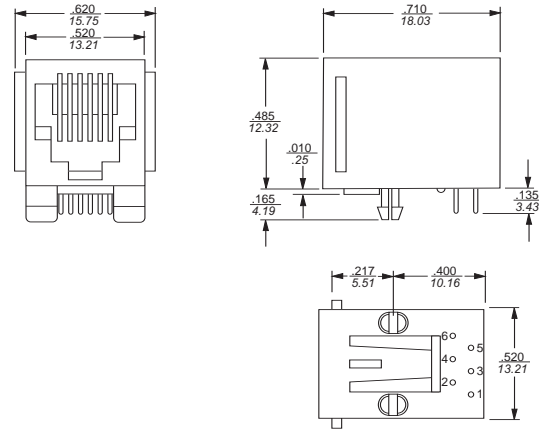
RJH (No Shield - PC Board Layout)



All tolerances ± 0.010 [0.25] unless otherwise noted.

Low Profile RJ Jack Dimensions
For the N and Z Series of RJ Jack Filters

RJ11 (Low Profile - No Shield)

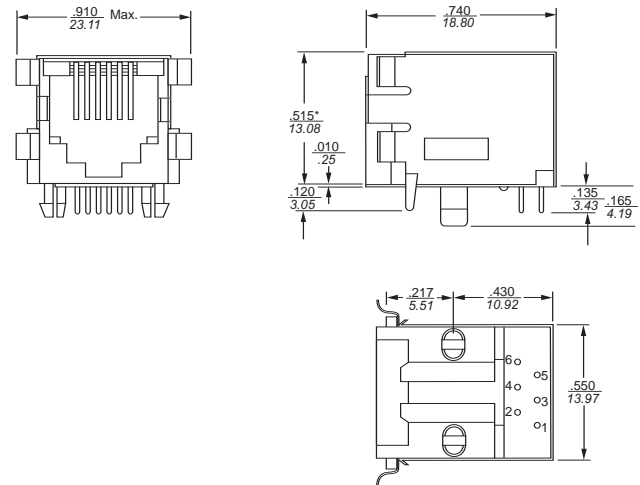


Part Numbers
RJ11-6N-B

RJ11-6N-S

RJ11-6Z

RJ11 Low Profile (Style 3 Shield)



Part Numbers
RJ11-6N3-B

RJ11-6N3-S

RJ11-6Z3

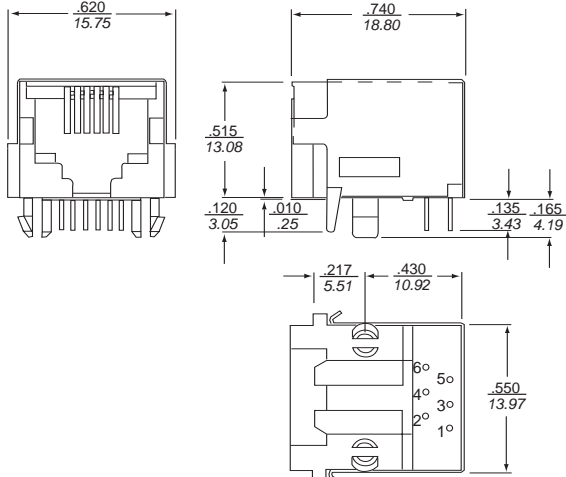
*To top of shield

Model Dimensions (Continued)

Low Profile RJ Jack Dimensions (cont'd)

For the N and Z Series of RJ Jack Filters

RJ11 Low Profile (Style 4 Shield)



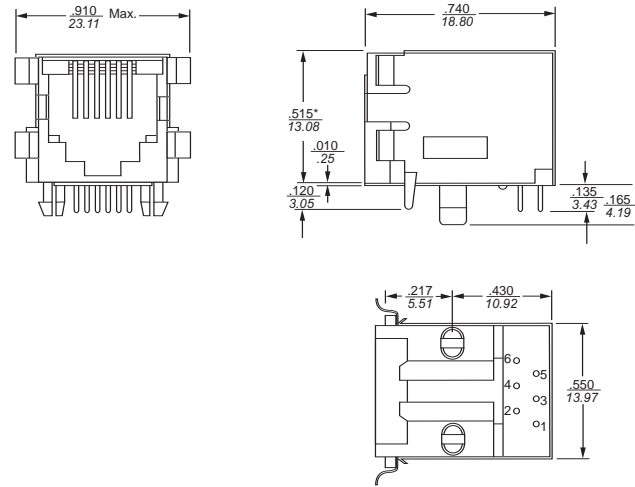
Part Numbers

RJ11-6N4-B

RJ11-6N4-S

RJ11-6Z4

RJ45 Low Profile (No Shield)



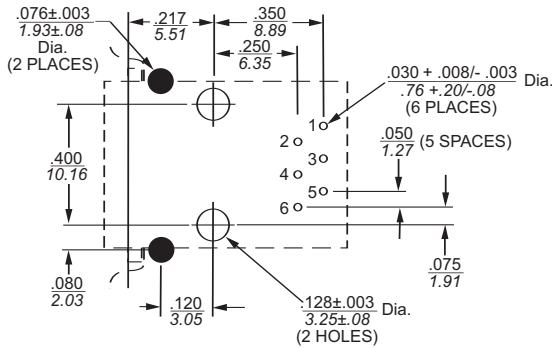
Part Numbers

RJ11-6N3-B

RJ11-6N3-S

RJ11-6Z3

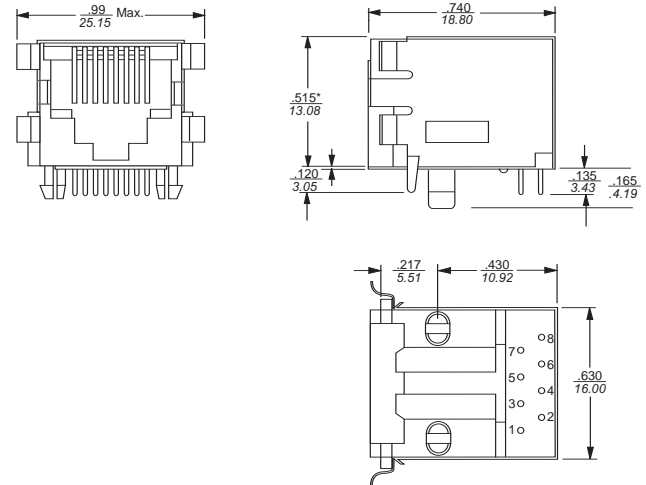
RJ11 Low Profile (PC Board Layout)



Shown from Component Side

For all RJ11 N and Z Series Models

RJ45 Low Profile (Style 3 Shield)



Part Numbers

RJ45-8N3-B

RJ45-8N3-S

RJ45-8Z3

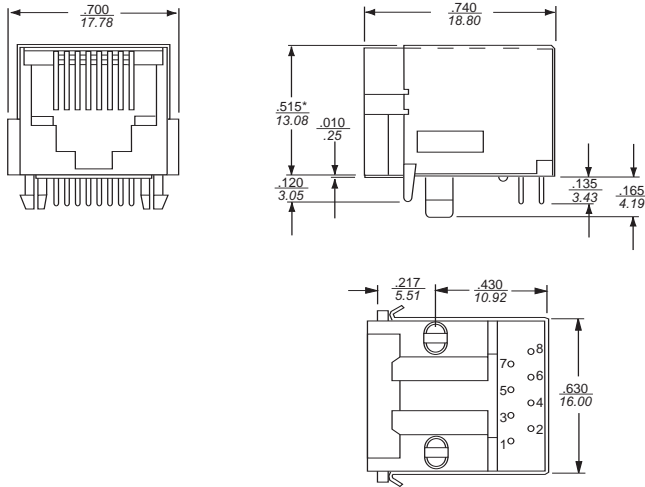
*To top of shield

Model Dimensions (Continued)

Low Profile RJ Jack Dimensions (cont'd)

For the N and Z Series of RJ Jack Filters

RJ45 Low Profile (Style 4 Shield)



Part Numbers

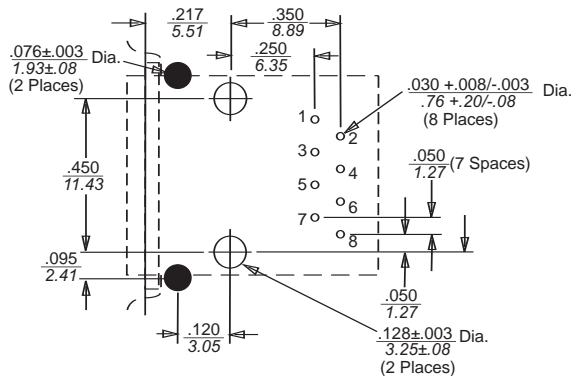
RJ45-8N4-B

RJ45-8N4-S

RJ45-8Z4

*To top of shield

RJ45 Low Profile (PC Board Layout)



Shown from Component Side

For all RJ45 N and Z Series Models

All tolerances ± 0.010 [0.25] unless otherwise noted.